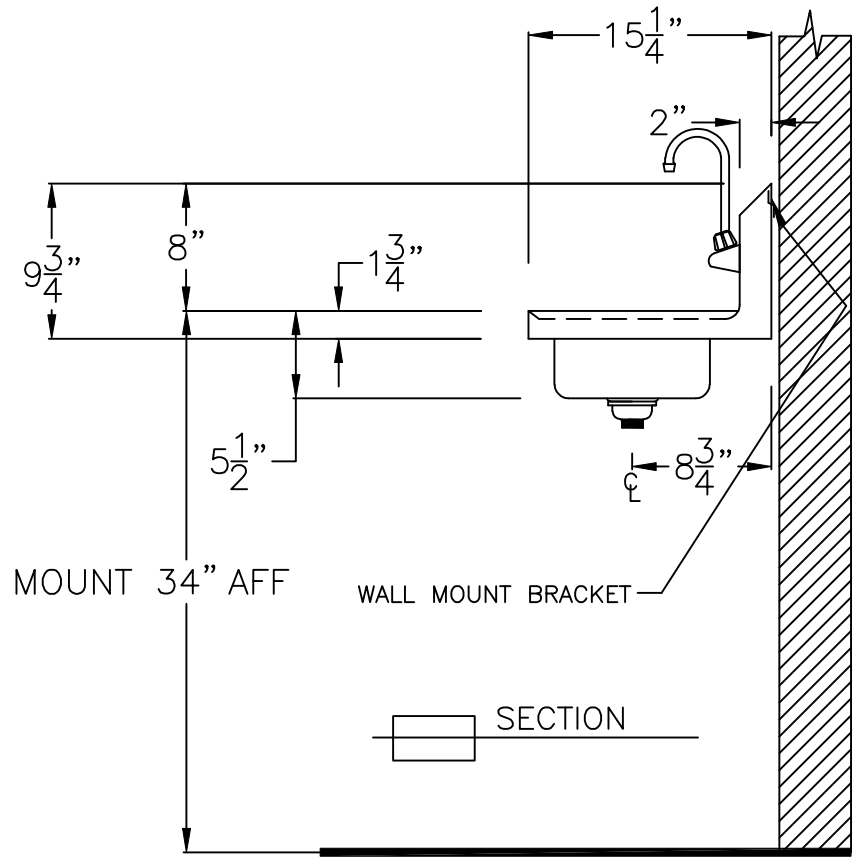


MARINE EDGE

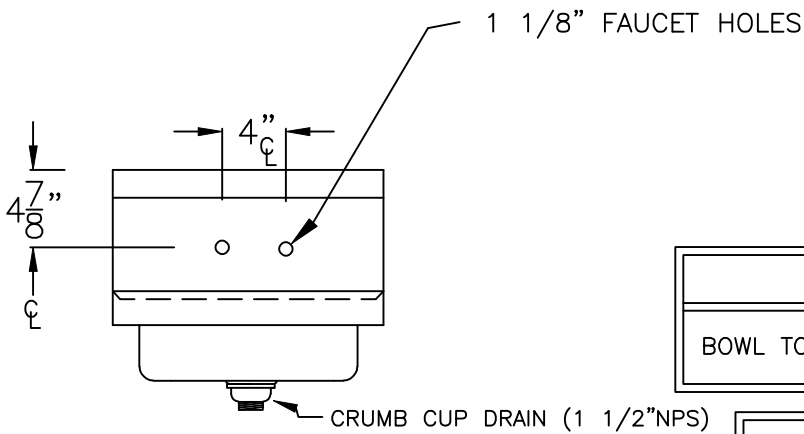
PLAN VIEW



MOUNT 34" AFF

WALL MOUNT BRACKET

SECTION



1 1/8" FAUCET HOLES

CRUMB CUP DRAIN (1 1/2"NPS)

FRONT VIEW

| SPECIFICATIONS                                    |  |
|---|--|
| BOWL TO BE 18 GA. DIE STAMPED 304 STAINLESS STEEL |  |

| ACCESSORIES                    |  |
|--------------------------------|--|
| #BKF-W-3G WITH GOOSENECK SPOUT |  |
| CRUMB CUP DRAIN - 1 1/2" NPS   |  |
| WALL MOUNT BRACKET             |  |

|                                       |                            |               |
|---------------------------------------|----------------------------|---------------|
| DH-17 HANDSINK                        |                            |               |
| Item Description: WALL MOUNT HANDSINK |                            |               |
| Sheet Description:                    |                            |               |
| Item #                                | Date: 2006                 | Engineer: RAH |
| Sales Order #                         | Drawing #MMS-1090-01-01-JB | Sheet #       |
| ---                                   | MMS-1090                   |               |

**Amtekco**  
INDUSTRIES, INC.

MANUFACTURERS OF QUALITY PRODUCTS FOR THE FOOD MARKETING INDUSTRY  
1205 Regus Road, Columbus, Ohio 43207  
(614) 228-5590 Fax (614) 737-8016